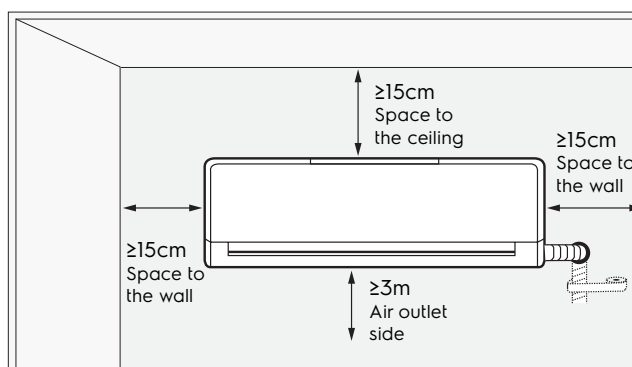
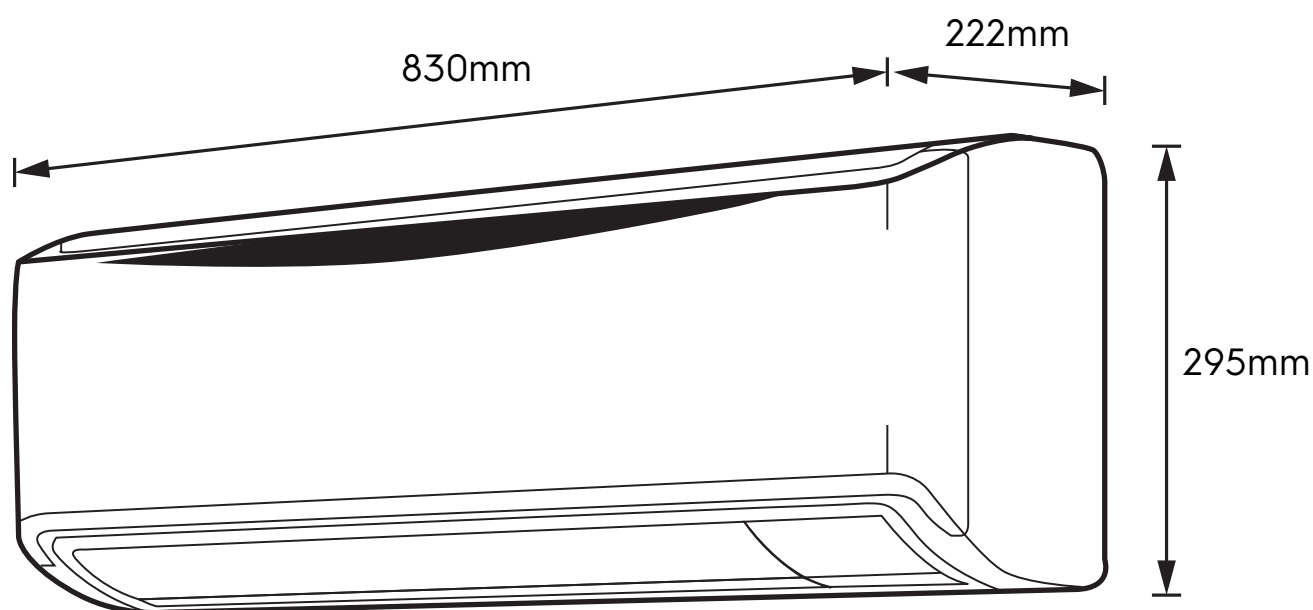


# Dimension Guide

## Air conditioner

**Model:**  
ESV123C2UA

Dimensions			
	width	height	depth
Product (mm)	830	295	222



**Please note!** Dimensions to be used as a guide only. All customers MUST refer to the user manual supplied with the product for detailed installation instructions.

© 2022 Electrolux S.E.A PTE. LTD. E\_DIM\_ESV123C2UA\_Jun22