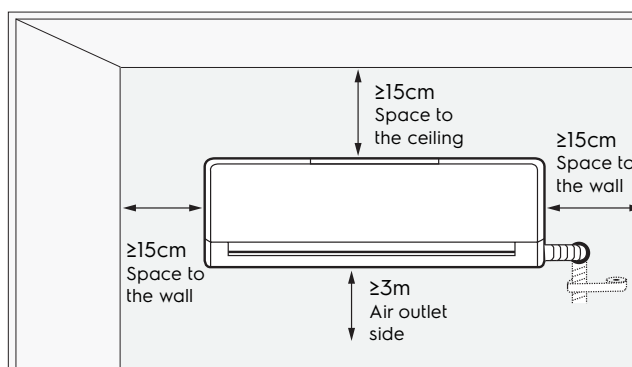
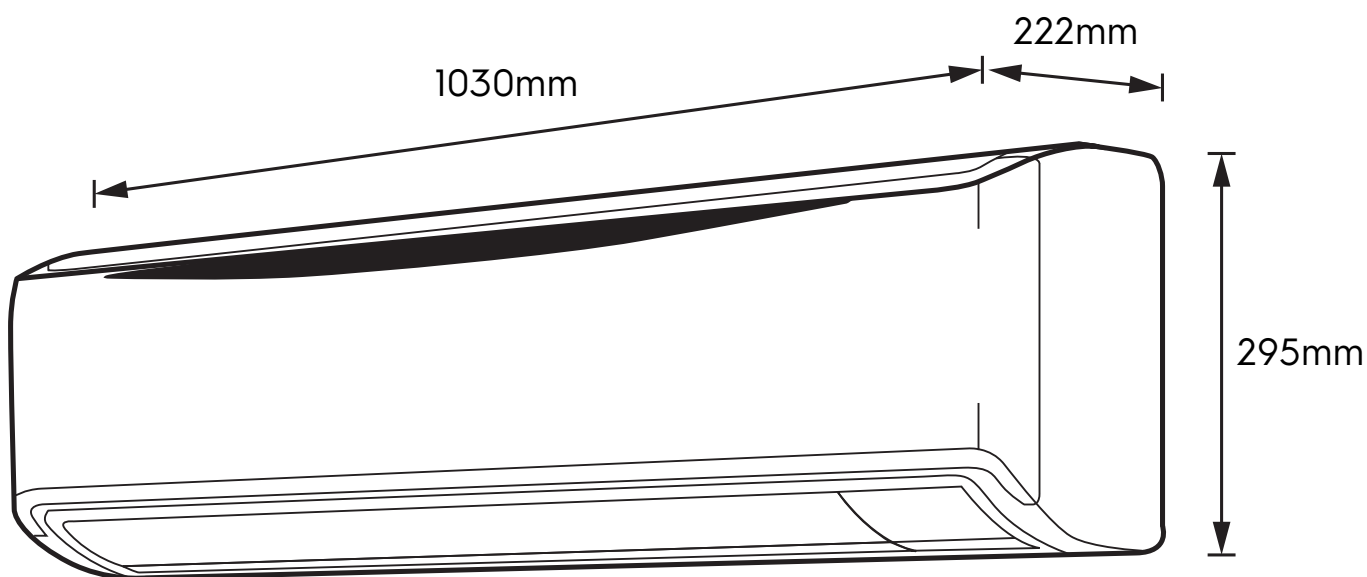


# Dimension Guide

## Air conditioner

**Model:**  
ESV183C2CA

| Dimensions   |       |        |       |
|--------------|-------|--------|-------|
|              | width | height | depth |
| Product (mm) | 1030  | 295    | 222   |



**Please note!** Dimensions to be used as a guide only. All customers MUST refer to the user manual supplied with the product for detailed installation instructions.

© 2022 Electrolux S.E.A PTE. LTD. E\_DIM\_ESV183C2CA\_Jun22