

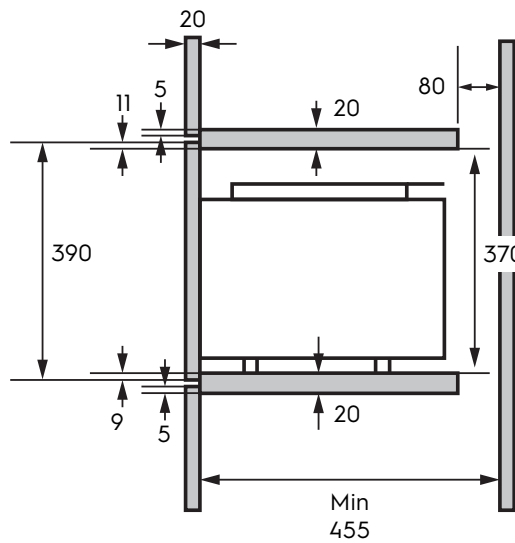
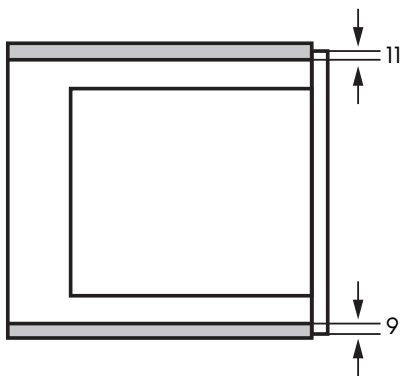
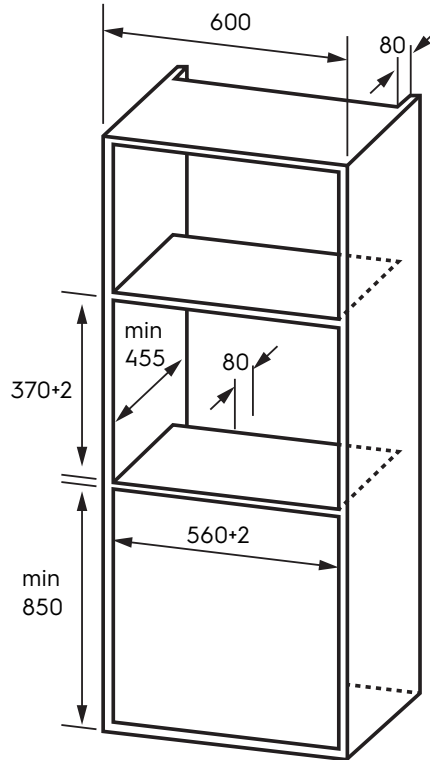
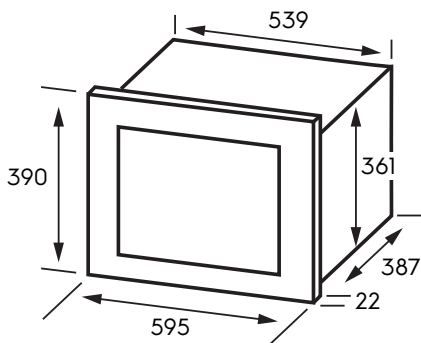
Dimension Guide

Built-in Microwave / wall

Model:
EMSB30XCF

Dimensions

	width	height	depth
Product (mm)	595	390	409
Cut-out (mm)	560	370	455



Please note! Dimensions to be used as a guide only. All customers MUST refer to the user manual supplied with the product for detailed installation instructions.

© 2023 Electrolux S.E.A PTE. LTD. ELX_DIM_EMSB30XCF_Apr23