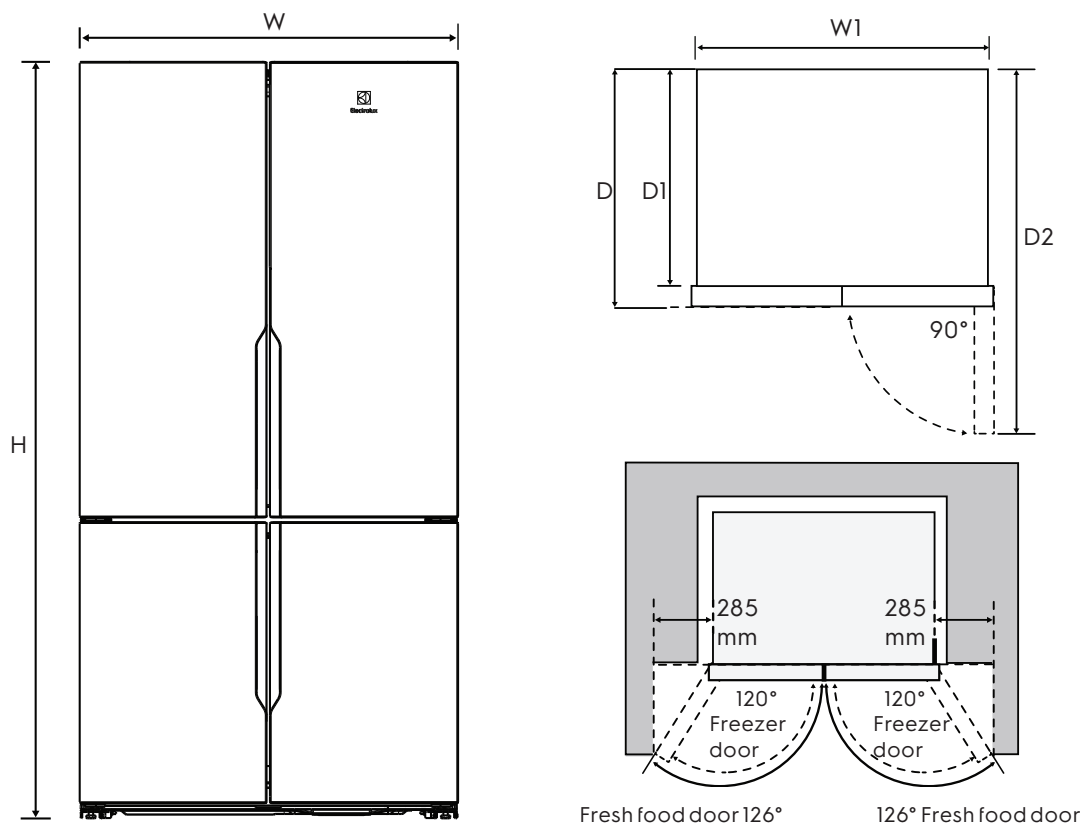


Dimension Guide

Quad door refrigerator

Model:
EQE5700D-S

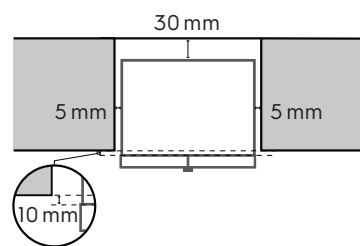


Installation options for optimal aesthetics :

Minimum side clearance kitchen cabinet

Fridge body must sit 10mm proud of kitchen cabinetry.

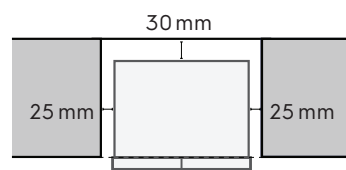
Minimum cabinetry opening (WxDxH) :
900mm x 649mm x 1800mm



Front of fridge body in line with kitchen cabinet

Side clearance must be 25mm either side of fridge body, to have the fridge doors sitting proud of the kitchen cabinetry.

Minimum cabinetry opening (WxDxH) :
940mm x 659mm x 1800mm

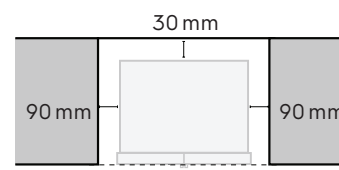


Note : Spacers supplied to assist

Fridge door flush with the cabinetry

Side clearance must be 90mm either side of the fridge body, to have the fridge doors sitting flush with the kitchen cabinetry.

Minimum cabinetry opening (WxDxH) :
1070mm x 741mm x 1800mm



Note : Spacers supplied to assist

| Quad door refrigerator | Door width (W) | Total depth (D) | Maximum height (H) | Cabinet width (W1) | Cabinet height (H1) | Cabinet depth (D1) | Depth door open 90° (D2) |
|------------------------|----------------|-----------------|--------------------|--------------------|---------------------|--------------------|--------------------------|
| EQE5700D-S | 896 | 726 | 1795 | 890 | 1775 | 640 | 1104 |

Please note! Dimensions to be used as a guide only. All customers MUST refer to the user manual supplied with the product for detailed installation instructions.

© 2025 Electrolux S.E.A PTE. LTD. ELX_DIM_EQE5700D-S_Oct25