



EN Quick Start Guide and
Safety Installation
Instruction

WASHER-DRYER

2

EW9024P5SB

EW1024P5SB

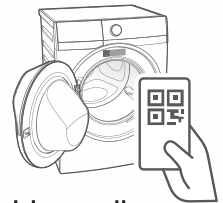
EW1144P5SB

Enjoy peace of mind. Register your appliance today.

Stay updated on better living services,
safety notices and shop for accessories.

- 1. Open the camera app on your smartphone and point at the QR code to scan.**

The product registration
QR code is located
inside the door rim.



- 2. Tap the notification or link to open the registration form.**
- 3. Complete your details and enjoy peace of mind.**



Full version of the User Manual is available on www.electrolux.com. Alternative, scan QR code, tap Electrolux logo, and search for your appliance.

Welcome to Electrolux! Thank you for choosing our appliance.



Get usage advice, brochures, troubleshooter, service information, buy accessories & spare parts, online product registration: www.electrolux.com

CUSTOMER CARE AND SERVICE

We recommend the use of original spare parts. When contacting Service, ensure that you have the following data available. The information can be found on the rating label: Model Name, Product Number Code, and Serial Number.



Warning / Caution-Safety information.



General information and tips.



Environmental information.



The information provided may be subject to change without prior notice due to updates aimed at improving user experience. For the latest information, please visit www.electrolux.com

CONTENTS

1. SAFETY INFORMATION	3
2. INSTALLATION	7
3. TROUBLESHOOTING	11
4. UNDERSTANDING YOUR APPLIANCE	13
5. WARRANTY	16
6. ENVIRONMENT CONCERNS	21

1. SAFETY INFORMATION

1.1 Conditions Of Use

This appliance is intended to be used in household and similar applications such as:

- staff kitchen areas in shops, offices and other working environment;
- farm houses;
- by clients in hotels motels, and other residential type environments;
- bed and breakfast type environments;
- areas for communal use in blocks of flats or in laundrettes.

WARNING!

The appliance must not be supplied through an external switching device, such as timer, or connected to a circuit that is regularly switched on and off by utility.

In the interest of your safety and to ensure the correct use, before installing and first using the appliance, read this user manual carefully, including its hints and warnings.

To avoid unnecessary mistakes and accidents, it is important to ensure that all people using the appliance are thoroughly familiar with its operation and safety features.

Save these instructions and make sure that they remain with the appliance if it is moved or sold, so that everyone using it through its life will be properly informed on appliance use and safety.

1.2 Child Safety

- This machine is not intended for use by children or infirm persons without supervision.
- The children should be supervised to ensure that they do not play with the appliance.
- The packaging components (e.g. plastic film, polystyrene) can be dangerous to children—danger of suffocation! Keep them out of children's reach.
- Keep all detergents in a safe place out of children's reach.
- Make sure that children or pets do not climb into the drum.
- This machine is provided with lock option (🔒) to prevent children playing with the control panel.

1.3 General Safety

- It is dangerous to alter the specifications or attempt to modify this product in any way.
- During high temperature wash programme the door glass may get hot. Do not touch it!
- Make sure that small pets do not climb into the drum. To avoid this, please check inside the drum before using the appliance.
- Any objects such as coins, safety pins, nails, screws, stones or any other hard, sharp material can cause extensive damage and must not be placed into the machine.
- Wash small items such as socks, laces, washable belts etc. in a washing bag or pillow case as it is possible for such items to slip down between the tub and the inner drum.
- Only use manufacturer's recommended quantities of fabric softener and detergent. Damage to the fabric or appliance can occur if you exceed the recommended amount.
- Do not use your machine to wash articles with whalebones, material without hems or torn material.
- Always unplug the appliance and turn off the water supply after use, clean and maintenance.
- This appliance is not intended for use by persons (including children) with reduced physical, sensory or mental capabilities, or lack of experience and knowledge, unless they have been given supervision or instruction concerning use of the appliance by a person responsible for their safety.
- Under no circumstances should you attempt to repair the machine yourself. Repairs carried out by inexperienced persons may cause injury or serious malfunctioning. Contact your local Service Centre. Always insist on genuine spare parts.
- Pre-treatment sprays and stain remover can damage plastic components on your machine. If you use pre-treatment sprays or stain removers, apply them to the clothing well away from your machine.

1.4 Installation

- This appliance is heavy. Care should be taken when moving it.
 - When unpacking the appliance, check that it is not damaged. If in doubt, do not use it and contact the Service Centre.
 - All packing and transit bolts must be removed before use. Serious damage can occur to the product and to property if this is not adhered to. See relevant section in section "Unpacking".
 - After having installed the appliance, check that it is not standing on the inlet and drain hose and the worktop is not pressing the electrical supply cable.
 - If the appliance is installed on a carpeted floor, please adjust the feet in order to allow air to circulate freely.
 - Always be sure, that there is no water leakage from hoses and their connections after the installation.
 - Any plumbing work required to install this appliance should be carried out by a qualified plumber.
 - Any electrical work required to install this appliance should be carried out by a qualified electrician.
 - Appliance should not be installed in a humid place.
- Never pull the power supply cable to remove the plug from the socket; always hold the plug itself.
 - Never use the machine if the power supply cable, the control panel, the working surface, or when the base is damaged; and where the inside of the machine is accessible.
 - If the supply cord is damaged, it must be replaced by the manufacturer, its service agent or similarly qualified persons in order to avoid a hazard.
 - As some duvets and eiderdowns should be washed/dried in large commercial machine because of their bulk, please check with the manufacturer of the item before washing/drying in a domestic machine.
 - The users should always check that they have not left their gas lighters, and matches (disposable or otherwise) in their clothing.
 - Never tumble dry items which have had contact with chemicals such as dry cleaning fluid. These are of volatile nature and could cause an explosion. Only tumble dry items which have been washed in water or require airing.
 - Plastic detergent dispensers/capsules should not remain in the drum during the drying cycle, as the plastic used is not designed to withstand heat. If you wish to wash through to dry you should use the conventional detergent dispenser drawer.

1.5 Use

- Only wash fabrics which are designed to be machine washed. Follow the instructions on each garment label.
- Do not overload the appliance. See the relevant section in the user manual.
- Before washing, ensure that all pockets are empty and buttons and zips are fastened. Avoid washing frayed or torn articles and treat stains such as paint, ink, rust, and grass before washing.
- Garments which have been in contact with volatile petroleum products should not be machine washed. If volatile cleaning fluids are used, care should be taken to ensure that the fluid is removed from the garment before placing in the machine.

CAUTION!

During the Drying phase, pressing on the Pause touch key will temporarily stop the cycle. The door will remain locked as the temperature inside the drum is high and may pose a safety risk. The door will automatically unlock when the machine's sensors detect that the temperature is at a safe level.

Never stop a washer-dryer before the end of the drying cycle unless all items are quickly removed and spread out so that the heat is dissipated.

Do not dry cloths in washer-dryer with dry clean solvents. Also, do not use laundry enhancement products during the drying cycle.

To minimize the risk of fire in a washer-dryer, the following should be observed:

- Items that have been spotted or soaked with vegetable or cooking oil constitute a fire hazard and should not be placed in a washer-dryer.

Oil-affected items can ignite spontaneously, especially when exposed to heat sources such as in washer-dryer.

The items become warm, causing an oxidation which creates heat. If the heat cannot escape, the items can become hot enough to catch fire. Piling, stacking or storing oil-affected items can prevent heat from escaping and so create a fire hazard.

- If it is unavoidable that fabrics contain vegetable or cooking oil or have been contaminated by hair care products be placed in washer-dryer, it should first be washed in hot water with extra detergent - this will reduce, but not eliminate the hazard.
- The "cool down" cycle of washer-dryer is used to reduce the temperature of the items. It should not be removed from the washer-dryer or piled or stacked while hot.
- Items that have been previously cleaned in, washed in, soaked in or spotted with petrol/gasoline, dry cleaning solvents or other flammable or explosive substances should not be placed in washer-dryer.
- Highly flammable substances commonly used in domestic environments include acetone, denatured alcohol, petrol/gasoline, kerosene, spot removers (some brands), turpentine, waxes, and wax removers.
- Items containing foam rubber (also known as latex foam), similarly textured rubber, or materials e.g. shower caps, waterproof textiles, rubber-backed articles, and clothes or pillows fitted with foam rubber pads should not be dried in a washer-dryer on a heat setting.
- Foam rubber materials can produce fire by spontaneous combustion when heated.
- Fabric softeners or similar products should not be used in a washer-dryer to eliminate the effects of static electricity unless this practice is specifically recommended by the manufacturer of the fabric softener or product.

- Undergarments that contain metal reinforcements should not be placed in a washer-dryer.
- Damage to the washer-dryer can result if metal reinforcements come loose during drying. When available a drying rack could be used for such items.
- Plastic articles such as shower caps, babies' waterproof napkin covers should not be placed in washer-dryer.

1.6 Electrical Connection

i "An incorrect power supply may void your warranty."

Check that your domestic electrical installation can take the maximum load required from technical data, also taking into account any other appliances in use.

When the appliance is installed, the power supply cable must be easily accessible.

! WARNING!

May cause electric shock! if the machine is not connected to an earthed/ground system. DO NOT touch the wet clothes and metal parts.

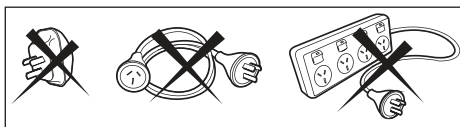
For safety reasons do not use double adapters, extension cords and multi-plug adapters.

! CAUTION!

Connect the machine to an earthed socket outlet

The manufacturer declines any responsibility for damage or injury through failure to comply with the above safety precaution.

Should the appliance power supply cable need to be replaced, this shall be carried out by our Service Centre.



2. INSTALLATION

2.1 Unpacking

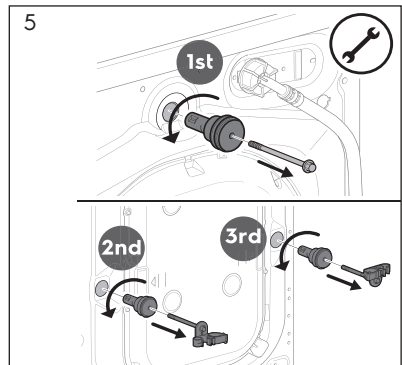
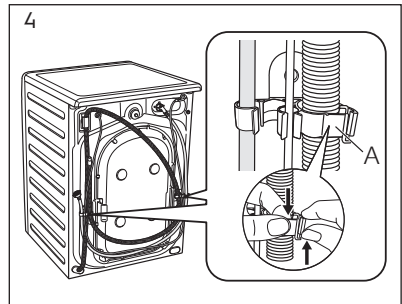
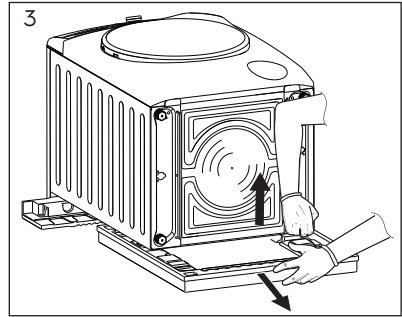
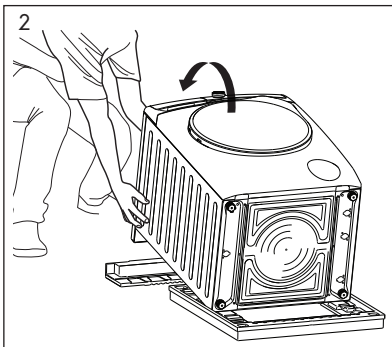
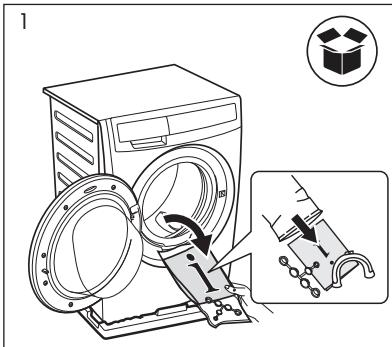
You are advised to keep all transit devices so that they can be refitted if the machine ever has to be transported again.

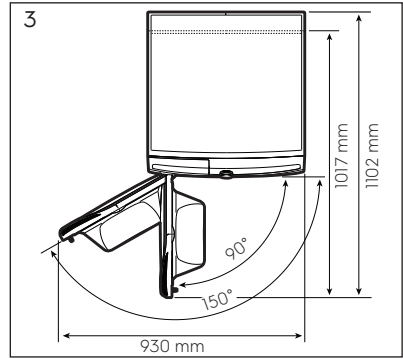
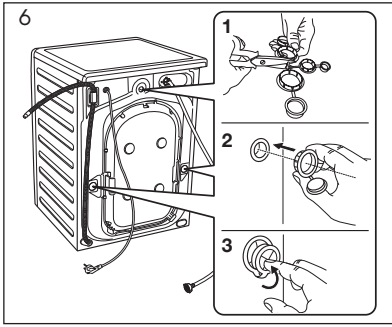
⚠ WARNING!

All transit bolts and packing must be removed before using the appliance. Requires using a wrench or hexagon head block number 10 to remove the transit bolts at all 3 points.

⚠ CAUTION!

Carefully put down the appliance with the rear side on it. Make sure not to damage the hoses.

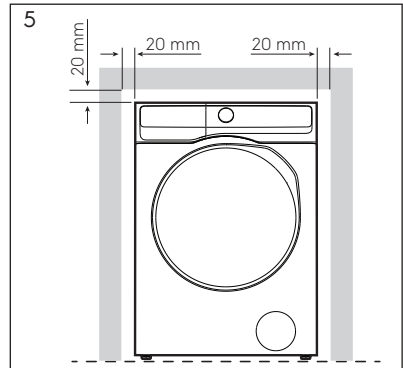
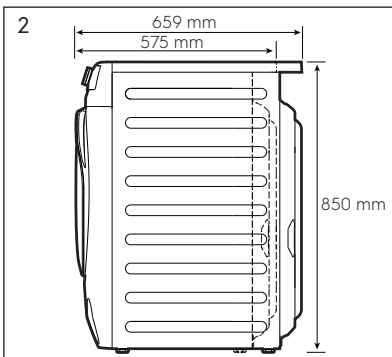
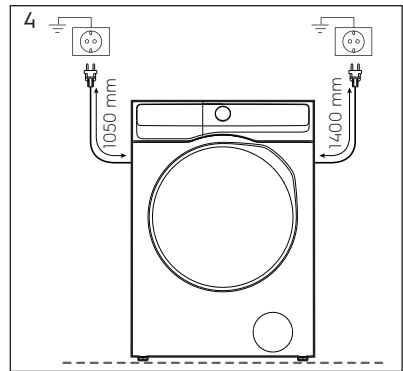
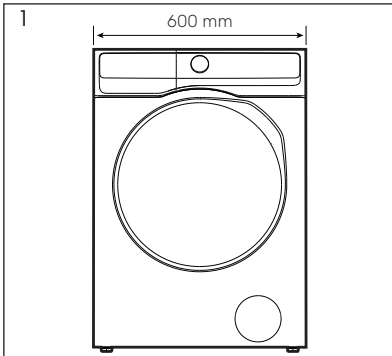


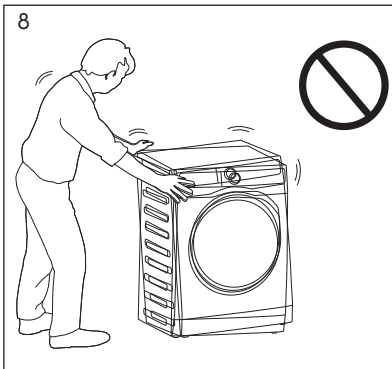
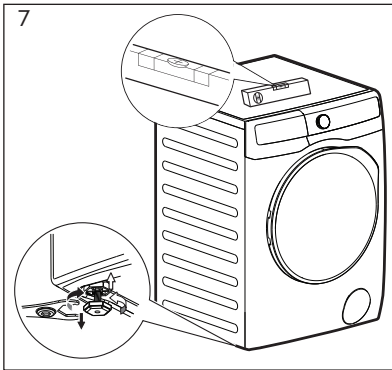
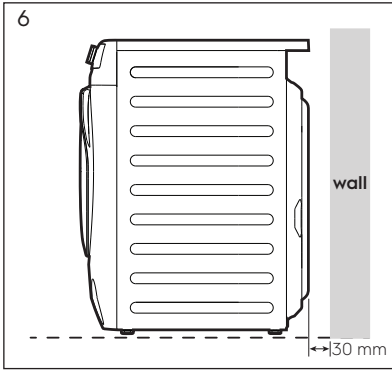


2.2 Positioning

⚠ WARNING!

Before proceeding with installation, read the safety information, and dimension preferred.





⚠ CAUTION!

When installing the product make sure the levelling feet is not pressing on the power cord.

When the machine is levelled, try to rock it from corner to corner. If it does rock, adjust the legs again until it is levelled and does not rock.

Never place cardboard, wood, or similar materials under the machine to compensate for any unevenness in the floor. Install the machine on a flat hard floor. Make sure that air circulation around the machine is not impeded by carpets, rugs, etc.

The appliance must not be installed behind a lockable door, a sliding door, or a door with a hinge on the opposite side to that of the machine, in such a way that a full opening of the door is restricted.

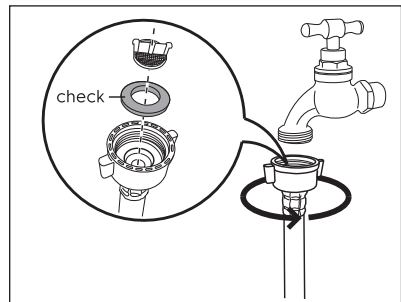
2.3 Water Inlet

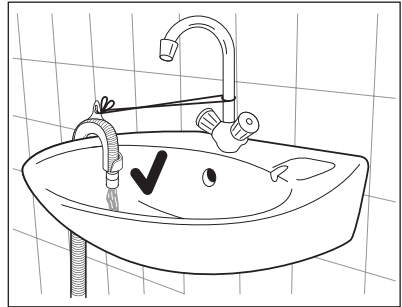
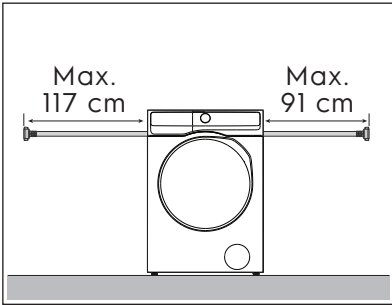
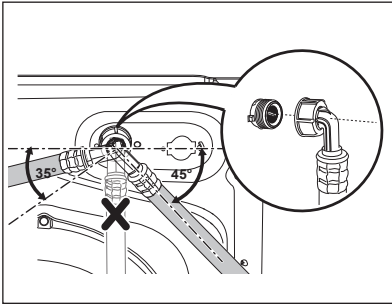
Connect the water inlet hose to a tap with 3/4" BSP thread. Use the hose supplied with the machine. **DO NOT USE OLD HOSES.**

The inlet hose must not be lengthened. If it is too short and you do not wish to move the tap, you will have to purchase a new, longer hose specially designed for this type of use.

Loosen the ring nut to angle the hose to the left or right depending on the position of your water tap. Do not place the inlet hose downwards.

After positioning the inlet hose, be sure to tighten the ring nut again to prevent leaks.





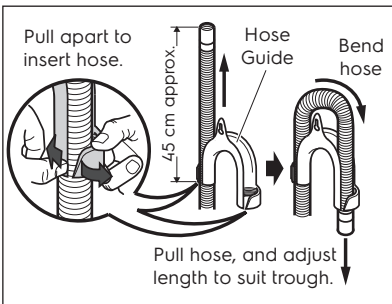
2.4 Water Drainage

The end of the drain hose can be positioned in three ways:

- **Hooked over the edge of a sink**, using the plastic hose guide supplied with the machine.

Fitting Hose Guide

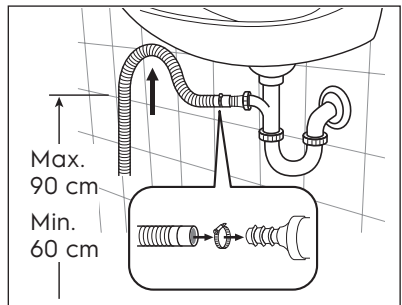
In this case, make sure the end cannot come unhooked when the machine is being emptied. This could be done by tying it to the tap with a piece of string or attaching it to the wall.



- **In a sink, drain pipe branch.**

This branch must be above the trap so that the bend is at least 60 cm above the ground.

Push the drain hose onto the spigot and secure with a clip, ensure a loop is formed in the drain hose to prevent waste from the sink entering the appliance.

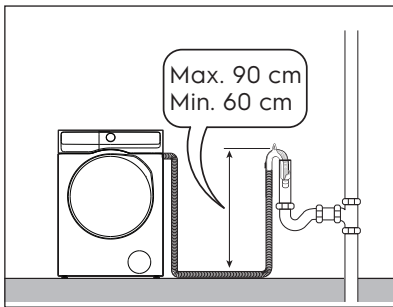
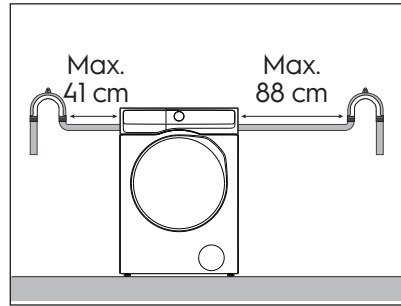


- **Directly into a drain pipe**, at a height of not less than 60 cm and not more than 90 cm.

The end of the drain hose must always be ventilated, i.e. the inside diameter of the drain pipe must be larger than the outside diameter of the drain hose.

The drain hose must not be twisted or curled. Run it along the floor; only the part near the drainage point must be raised.

For the correct functioning of the machine, the drain hose must remain hooked on the proper support piece situated on the top part of back side of the appliance.



3. TROUBLESHOOTING

⚠ WARNING!

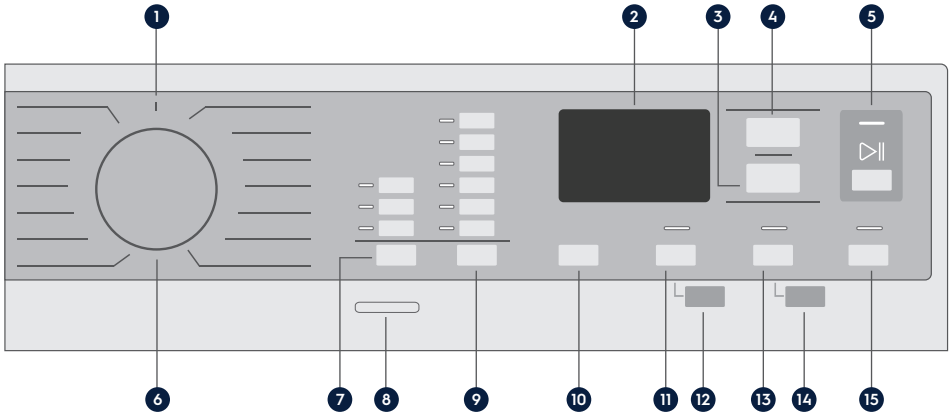
Deactivate the appliance before you do the checks.

Malfunction	Alarm Code	Possible cause	Solution
<ul style="list-style-type: none"> Machine does not fill the water. Machine fills then empties immediately 	E 10 E 11 E 12	<ul style="list-style-type: none"> The water tap is closed. The inlet hose is squashed or kinked. The filter in the inlet hose is blocked. The water tap is not turned on. The end of the drain hose is too low. 	<ul style="list-style-type: none"> Open the water tap. Check the inlet hose connection. Clean the water inlet hose filter. Open the water tap. Refer to relevant "water drainage" section in user manual.
<ul style="list-style-type: none"> Machine does not empty or does not spin Machine does not dry or does not dry properly 	E 20 E 21 E 22	<ul style="list-style-type: none"> The drain pump is clogged. The drain filter is clogged. The drain hose is squashed or kinked. 	<ul style="list-style-type: none"> Clean the drain filter. Clean the drain filter. Check the drain hose connection.

Malfunction	Alarm Code	Possible cause	Solution
<ul style="list-style-type: none"> Machine does not start 	E40 E41	<ul style="list-style-type: none"> The door is not properly closed. 	<ul style="list-style-type: none"> Close the door firmly.
	E91	<ul style="list-style-type: none"> No communication between electronic elements of the appliance. 	<ul style="list-style-type: none"> Switch off and switch on again.
	E40 E41 E42 E43	<ul style="list-style-type: none"> The Main supply is unstable. 	<ul style="list-style-type: none"> Wait until the main supply is stable. Appliance will start automatically.
<ul style="list-style-type: none"> There is water on the floor 	EF2 EFO	<ul style="list-style-type: none"> Too much detergent or unsuitable detergent (creates too much foam). 	<ul style="list-style-type: none"> Reset machine by switch off and switch on and select programme "Rinse&Spin" to rinse foam. Next cycle should reduce detergent quantity. and use correct type of detergent.
	EF3	<ul style="list-style-type: none"> Water leaks inside the machine 	<ul style="list-style-type: none"> Disconnect the main plug from the main socket. Close the water tab, please call Service Centre.
<ul style="list-style-type: none"> Remote function does not work *Connected models 	EAD EAR	<ul style="list-style-type: none"> Registration Data lost or damaged. 	<ul style="list-style-type: none"> Restart machine by turn Off and turn On again. If problem not solved, please contact Service Centre.
<ul style="list-style-type: none"> Machine does not start *AutoDose models 	ECE ECO	<ul style="list-style-type: none"> Sensing circuit of Autodosing faulty. 	<ul style="list-style-type: none"> Switch off and switch on again. If still have the problem, please call Service Centre.

4. UNDERSTANDING YOUR APPLIANCE

Control Panel



1 Favourite

2 Display

3 Time Dry

4 Dryness Level

5 Start/Pause

6 Dial

7 Mode

8 On/Off

9 Temp

10 Spin

11 Hygienic Care

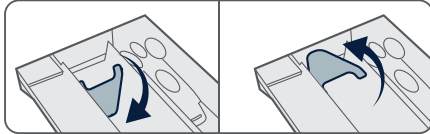
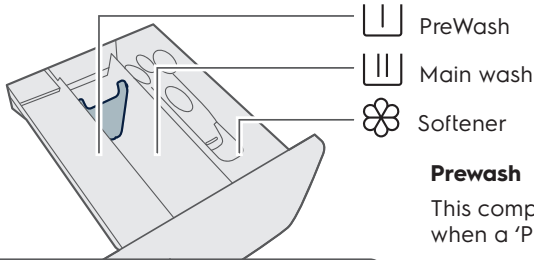
12 Save

13 Prewash

14 Extra Rinse

15 Delay Start

Detergent dispenser drawer



PreWash

Main wash

Softener

Prewash

This compartment is only used for detergent when a 'Prewash' option is selected.

Main wash

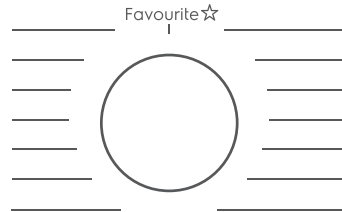
This compartment is used for detergent on all programs.

Softener

This compartment is used for fabric conditioner and starching agent.

Start using your Washer

1. Press the On/Off button and load your clothes into the machine.
 2. Turn the dial to select a program.
- Tips:** When your Washer-Dryer machine door is open, the time digits will show the maximum load weight of the selected program.
3. Tap on one of the more wash options to set the desired.
 4. Pour detergent into the dispenser drawer, then press Start touch key to begin the program.



Special functions


Program the UltimateCare Wash&Dry settings at a touch to deliver outstanding results with every wash.

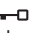
Save Favourite program

Follow the instructions below to save frequently used settings as Favourites.

1. Select program and set to your desired settings.
2. Press and hold on the Hygienic Care button until you hear the beeps sound.


Flexibility to add forgotten clothes

When you see the add clothes symbol  on the display, you can tap on Start/Pause touch key to pause the wash.

Wait for the door to unlock (door lock  icon goes off), and you can open the door to add clothes. Press the Start/Pause touch key again to resume the wash cycle.

i 'Pause to add clothes' is only available for the first 10 minutes after you have started washing.

Programs chart

Programme; Temperature range	Max. Load (Dry Clothes)		Type of load and soil level
	Wash	Dry	
Cottons	Max	Max	White and coloured cotton.
Mixed	4 kg	3 kg	Synthetic or mixed fabric items.
Delicates	4 kg	-	Delicate fabrics such as acrylics, viscose, polyester items.
Bedding	3 kg	-	Special program for one synthetic blanket, duvet, bedspread and so on.
Baby Care	4 kg	-	Baby cotton clothes and delicate knitting items with normal soil.
Energy Saver	Max	Max	White and colourfast cotton. Set this program to have a good washing results and decrease the energy consumption. The time of the washing program is extended.
Tub Clean	-	-	For cleaning the tub.
Spin;	Max	Max	To spin the laundry and drain the water in the drum.
Rinse + Spin	Max	Max	To rinse and spin the laundry.
Wool 	2 kg	1 kg	Specially tested program for woollen garments bearing the "Pure new woollen, non-shrink, machine washable" label.
Quick 15	1.5 kg	-	Lightly soiled synthetics or mixed fabrics.
Daily 39	5.5 kg	-	Daily wear coloured cotton clothes such as shirts, blouses, towels and undergarments. Ideal for low level of soil.
Full Wash 60	Max	4 kg	Daily wear coloured cotton clothes such as shirts, blouses, towels and undergarments. Ideal for normal level of soil.
WashDry 60	1 kg	1 kg	Non-Stop washing and drying program for 3 - 5 shirts with lightly soil.
Favourite	-	-	Recall your favourite programme.

Program and max. capacity may vary based on model. Refer to User Manual for details.

*Suggestion for dry clothes.

5. WARRANTY

Product Category (For domestic/household use only)		Warranty (Standard & Additional)
Care	Front load Washer	2 Years Standard Warranty
		8 Years Additional Warranty on Inverter Motor only
	Top load Washer	2 Years Standard Warranty
		3 Years Additional Warranty on Motor only
	Washer Dryer/ Dryer	2 Years Standard Warranty
		8 Years Additional Warranty on Inverter Motor only
Dishwashers	2 Years Standard Warranty	
Built-in Dishwashers		
Taste	Refrigerators	1 Year Standard Warranty
		9 Years Additional Warranty only on Compressor (Refrigerant/Gas is Chargeable)
	Built-in Hobs	2 Years Standard Warranty
		3 Years Additional Warranty on Glass Top (Physical Damage not Cover)
	Hoods	2 Years Standard Warranty
		8 Years Additional Warranty on AC/DC Motor
	Built-In Ovens	2 Years Standard Warranty
	Microwave Ovens	
	Free-standing Gas Cooker	1 Year Standard Warranty
Table top Ovens		
Warming Drawer	2 Years Standard Warranty	
Coffee Maker	2 Years Standard Warranty	
Well Being	Air Purifiers	1 Year Standard Warranty
	Vaccum Cleaner	2 Year Standard Warranty
		2 Years battery warranty for all cordless vacuum cleaners (excluding charging stand)
	Air Conditioner	1 Year Standard Warranty
		9 Years Additional Warranty on Compressor
4 Years Additional Warranty only on Inverter Model PCB		
Accessories	Battery & Charger	Warranty is not applicable to those mercury cell or AAA batteries which are used in remote controller
	Sales Accessory	No warranty coverage for any accessory

Additional Warranty on specified Parts, commences after Expiry of standars warranty

Terms and Conditions for Warranty

1. Electrolux India Private Ltd (EIPL) provides warranty for the quality of appliances to the purchasers who has duly registered the appliances with Electrolux India according to terms and conditions stipulated herein.
2. To make an In-Warranty claim, customers need to provide to our staff, on the day of the service request, a 'Warranty Card' which is filled out with the information identical to that provided on the 'Warranty Card' returned to the company & the purchase tax invoice without correction or rectification as a proof of purchase and an indication of the purchase date where the warranty of each product commences. (refer table for warranty details)
3. The warranty only covers products with manufacturing or design defect and shall only apply to appliance imported and sold by EIPL.
4. If the product or parts in the product requires repair, Electrolux may, at its sole option and discretion, repair, replace or exchange it with an equivalent product or parts that is new or refurbished. Electrolux will retain the replaced parts or product that is exchanged during service as its property. Repaired, replaced or exchanged part or product will continue to be under warranty for the remaining Product warranty period.
5. In case the receipt or proof of purchase or warranty card is lost or the purchase date cannot be verified against the tax invoice, the company reserves the right not to accept warranty claims. The warranty period commences from the date of manufacture which is displayed on the serial number of all appliances or as appearing on the company information systems.
6. The warranty applies to products purchased from Electrolux and/or authorized dealers in India only. Repairs according to warranty are provided by authorized Service Centres in India only. For products purchased with special conditions e.g. products sold as-is, products with scratches, dents or visible minor cracks, the warranty shall only cover the functioning of the products starting from the purchase date of the main product.
7. No person, by dealer/company is authorised to change, modify or extend the terms of these warranties in any manner.
8. The standard warranty and additional warranty will expire as per warranty term (refer table) from the date of purchase/invoice, even if the product may not be in use for any time during warranty period for any reason whatsoever including any technical breakdowns, and the time taken for such repairs/ replacement of parts and transit, whether under this warranty or otherwise shall not be excluded from the warranty period.
9. Chemicals and solutions used during the repairs e.g. cleaner, scale remover, coolant, all type filters, cleanser not categorized as spare parts or electrical parts shall be paid by the customers for the actual amount used.
10. The company reserves the right to levy service charge, spares charges, gas charges and/or transportation charge, etc for out of warranty products (after expiry of standard warranty) according to defect/damage even if such defect/damage is not found at first.
11. The company reserves the right to refuse entry to an inaccessible area, prohibited area, risky area or where the company deems risky of dangers.
12. The company reserves the right to amend warranty terms and conditions without prior notice.
13. In the event of any unforeseen circumstances, or spares being unavailable, the company's prevailing depreciation rules/policy will be binding on purchaser to accept as a commercial solution in lieu of repairs.
14. EIPL liability under this warranty is limited to repairing and /or replacing defective parts/products only. The warranty does not cover any losses and damages caused directly or indirectly by the products.

The standard Warranty / Additional Warranty is not applicable in the following cases:

1. The warranty does not apply to a damage caused by improper use or improper storage as explicitly laid out in the warnings or product information taking into consideration the product condition, nature of use and foreseeable regular storage.
2. The warranty does not apply to a damage/defect caused by modification, ingenuine parts, alteration or repairs by third party agents not entrusted by Electrolux India or not done by an Authorised Partner of Electrolux India.
3. The warranty does not apply when the product has been tampered with, or has been subject to misuse, or damage due to customer negligence or damaged while in transit.
4. The warranty does not apply on breakages/damages due to lightening or flood, damage or scratch resulting from external causes such as movement, shipment, accident, negligence, if product is not used as per guidelines, exposure to chemical substance, excessive dust, corrosive surrounding, Leakage in product due to coin entry/foreign particle entry, fire, natural disaster, biting by animals e.g. ants, rats, cockroaches, etc., or rusting caused by natural environment which is normal for general electrical appliances including scratches and damage that appear on the surface or external parts resulting from customer usage.
5. The warranty does not cover accessories such as adapter, plug, pipe, cable, belt, filter, bulb, rubber seal, rubber gasket, consumable parts, plastic parts, glass/toughened glass parts, handle, key, lock, legs door frame, or any other components that are subject to ordinary wear and tear over time or require periodical replacement.
6. The warranty does not cover parts categorized as external and internal components / fittings / fixtures of appliances such as housing, covering cap, knob, rubber seal, panel, plate, layer, grill, etc., or those made of rubber or plastics.
7. The warranty does not apply to a damage caused by unstable frequency or voltage of the electrical supply system, dirtiness or pressure of supplied water which is incompatible with the specification of appliances.
8. Any claims for product received in dent/damaged condition or missing parts made later than the allowable period of 7 days from the purchase date are not covered by the standard warranty.
9. The warranty does not apply if Warranty cards that are corrected, scraped, scratched, crossed, or torn in part shall be void.
10. The warranty does not apply on Appliances used for commercial or retail business outside place of residence e.g. in laundry business, spas, hair dressing, hospitals, factories, or in service business in return for earnings etc
11. The warranty does not apply when the product has not been installed, maintained, operated in accordance with instructions given by EIPL.



Customer Copy

Warranty Card

Customer Name: _____

Address: _____

City: _____ State: _____ Pin Code: _____

Telephone/Mobile: (1) _____ Mobile: (2) _____ Email ID: _____

Model No: _____ Serial No: _____ Date of Purchase: _____

Dealer Name: _____

City: _____

**Auth Service Center / Service Tech
(Sign / Stamp)**

Customer Sign

Customer Care Number : 1800 202 1800



Company Copy

Warranty Card

Customer Name: _____

Address: _____

City: _____ State: _____ Pin Code: _____

Telephone/Mobile: (1) _____ Mobile: (2) _____ Email ID: _____

Model No: _____ Serial No: _____ Date of Purchase: _____

Dealer Name: _____

City: _____

**Auth Service Center / Service Tech
(Sign / Stamp)**

Customer Sign

Customer Care Number : 1800 202 1800



Electrolux

Warranty Card

Corporate office:

Electrolux India Private Limited.

C&B Square, 401, 4th Floor, JB Nagar,
Andheri East, Mumbai 400059 (Maharashtra) India
CIN : U74999HR2015FTC055337

Customer Care Number



 **1800 202 1800** (Toll Free)

 customercareindia@electrolux.com

 www.electrolux.com

6. ENVIRONMENT CONCERNS

6.1 Packaging Materials

 The materials marked with the symbol  are recyclable.

>PE<=polyethylene


>PS<=polystyrene

>PP<=polypropylene.

This means that they can be recycled by disposing them properly in appropriate collection containers.

6.2 Old Machine

Use authorized disposal sites for your old appliance. Help to keep your country tidy!

The symbol  on the product or on its packaging indicates that this product may not be treated as household waste.

Instead it shall be handed over to the applicable collection point for the recycling of electrical and electronic equipment. By ensuring this product is disposed of correctly, you will help prevent potential negative consequences for the environment and human health, which could otherwise be caused by inappropriate waste handling of this product.

For more detailed information about recycling of this product, please contact your local city office, your household waste disposal service or the shop where you purchased the product.

6.3 Ecological Hints

To save water, energy and to help protect the environment, we recommend that you follow these tips:

- Normally soiled laundry may be washed without pre-washing in order to save detergent, water and time (the environment is protected too!).
- The machine works more economically if it is fully loaded.
- With adequate pre-treatment, stains and limited soiling can be removed; the laundry can then be washed at a lower temperature.
- Measure out detergent according to the water hardness, the degree of soiling and the quantity of laundry being washed.

electrolux.com

G0053825-001-A29679806