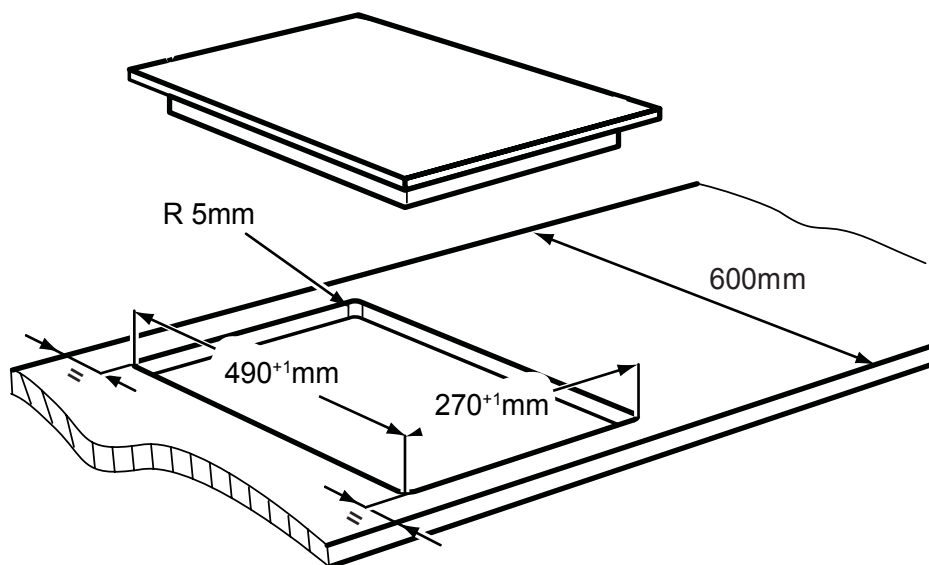


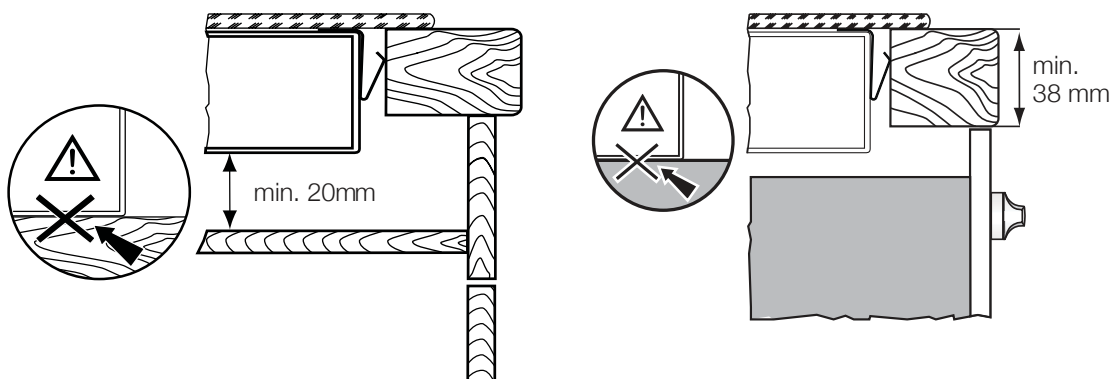
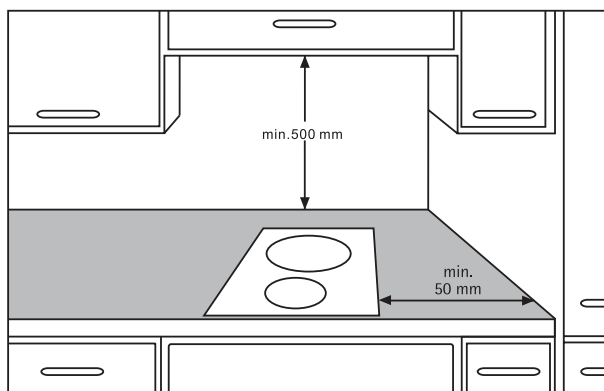
# Dimension Guide

## Induction cooktop

**Model:**  
EHI3251BE



**Note:** The clearance must meet or exceed the minimum recommended for both the rangehood and cooktop. Refer to the rangehood installation manual



**Please note!** Dimensions to be used as a guide only. All customers MUST refer to the user manual supplied with the product for detailed installation instructions.

© 2021 Electrolux S.E.A PTE. LTD. E\_DIM\_EHI3251BE\_Dim\_Sep21