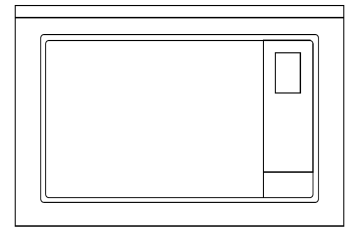
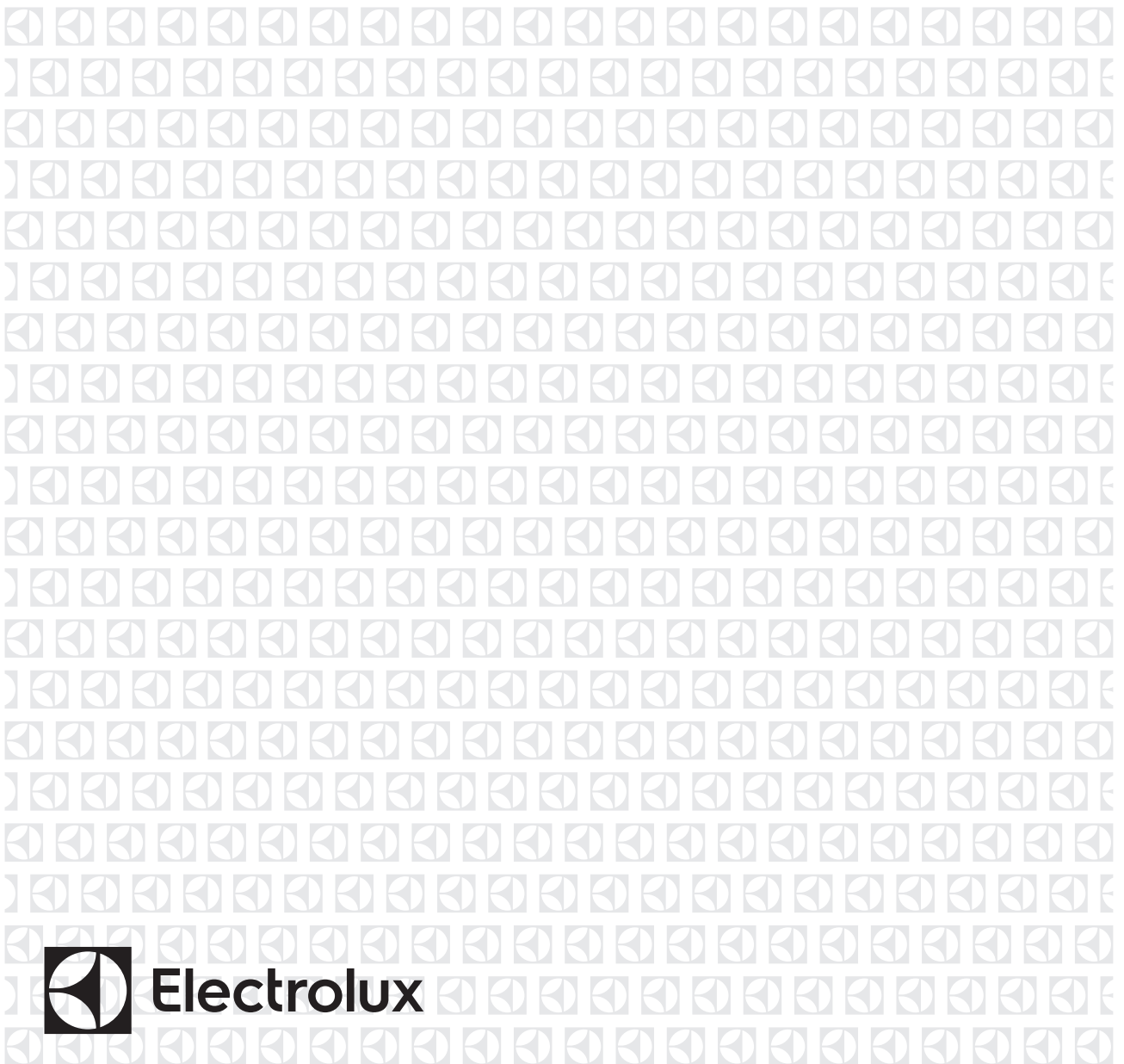


EMSB25XC



Build-in microwave

Installation & User manual



Electrolux

CONTENT

CONTENT	1
SPECIFICATIONS	2
PRECAUTIONS TO AVOID POSSIBLE EXPOSURE TO EXCESSIVE MICROWAVE ENERGY	2
IMPORTANT SAFETY INSTRUCTIONS	3
INSTALLATION GUIDE	6
GROUNDING INSTRUCTIONS	8
RADIO INTERFERENCE	8
BEFORE CALLING FOR SERVICE	8
COOKING TECHNIQUES	9
COOKING UTENSILS GUIDE	9
PRODUCT DIAGRAM	10
TURNTABLE INSTALLATION	10
CONTROL PANEL	11
OPERATION INSTRUCTIONS	12
SETTING THE CLOCK.....	12
EXPRESS COOKING.....	12
MICROWAVE COOKING.....	13
GRILL.....	13
COMBINATION.....	13
CONVECTION.....	14
MICROWAVE +CONVECTION.....	14
SPEED DEFROST.....	15
MULTI-STAGE COOKING.....	15
CHILD LOCK.....	15
AUTOMATIC PROTECTION MECHANISM.....	15
COOK MENU.....	16
AUTO COOK.....	17
TROUBLE.....	18
CLEANING AND CARE	18
CONSUMERS CARE CONTACT CENTER	20

SPECIFICATIONS

Power Consumption:	220V/50Hz,1400W(Microwave),1800W(Grill), 1800W(Convection)
	230V-240V/50Hz,1400W(Microwave),1950W(Grill), 1950W(Convection)
Rated Microwave Power Output:	900W
Operation Frequency:	2450MHz
Outside Dimensions:	389mm(H)×594mm(W)×385mm(D)
Oven Cavity Dimensions:	214mm(H)×342mm(W)×360mm(D)
Oven Capacity:	25Litres
Net Weight:	Approx. 17kg
Model number:	EMSB25XC
Plug Type& Cable Length	Thailand plug(Thailand),UK plug(Singapore), 1010MM

PRECAUTIONS TO AVOID POSSIBLE EXPOSURE TO EXCESSIVE MICROWAVE ENERGY

1. Do not attempt to operate this oven with the door open since open-door operation can result in harmful exposure to microwave energy. It is important not to defeat or tamper with the safety interlocks.
2. Do not place any object between the oven front face and the door or allow soil or cleaner residue to accumulate on sealing surfaces.
3. Do not operate the oven if it is damaged. It is very important that the oven door close properly and that there is no damage to the
 - a) Door (including any bent),
 - b) Hinges and latches (broken or loosened),
 - c) Door seals and sealing surfaces.
4. The oven should not be adjusted or repaired by anyone except qualified service personnel.

IMPORTANT SAFETY INSTRUCTIONS

When using electrical appliance basic safety precautions should be followed, including the following:

WARNING!--To reduce the risk of burns, electric shock, fire, injury to persons or exposure to excessive microwave energy:

1. Read all instructions before using the appliance and keep for future reference.
2. Use this appliance only for its intended use as described in the manual. Do not use corrosive chemicals or vapors in this appliance. This type of oven is specifically designed to heat, cook or dry food. It is not designed for industrial or laboratory use.
3. Do not operate the oven when empty.
4. Do not operate this appliance if it has a damaged cord or plug, if it is not working properly, or if it has been damaged or dropped. If the supply cord is damaged, it must be replaced by the manufacturer or its service agent or a similarly qualified person in order to avoid a hazard.
5. **WARNING!**--Only allow children to use the oven without supervision when adequate instructions have been given so that the child is able to use the oven in a safe way and understands the hazards of improper use.
6. **WARNING!**--When the appliance is operated in the combination mode, children should only use the oven under adult supervision due to the temperatures generated
7. To reduce the risk of fire in the oven cavity:
 - When heating food in plastic or paper container, keep an eye on the oven due to the possibility of ignition.
 - Remove wire twist-ties from paper or plastic bags before placing bag in oven.
 - If smoke is observed, switch off or unplug the appliance and keep the door closed in order to stifle any flames.
 - Do not use the cavity for storage purposes. Do not leave paper products, cooking utensils, or food in the cavity when not in use.
 - The microwave oven is intended for heating food and beverages. Drying of clothing and heating of warming pads, slippers, sponges, damp cloth and similar may lead to risk of injury, ignition or fire.
8. **WARNING!**--Liquid or other food must not be heated in sealed containers since they are liable to explode.
9. Microwave heating of beverage can result in delayed eruptive boiling, therefore care has to be taken when handle the container.

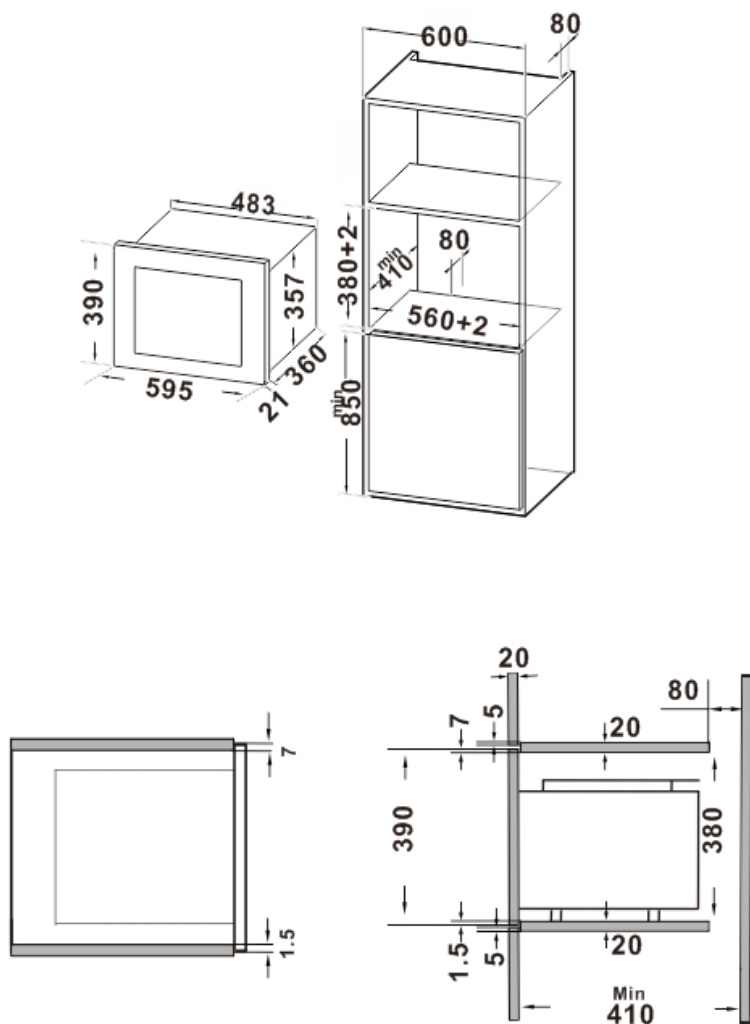
10. Do not fry food in the oven. Hot oil can damage oven parts and utensils and even result in skin burns.
11. Eggs in their shell and whole hard-boiled eggs should not be heated in microwave ovens since they may explode even after microwave heating has ended.
12. Pierce foods with heavy skins such as potatoes, whole squashes, apples and chestnuts before cooking.
13. The contents of feeding bottles and baby jars should be stirred or shaken and the temperature should be checked before serving in order to avoid burns.
14. Cooking utensils may become hot because of heat transferred from the heated food. Potholders may be needed to handle the utensil.
15. Utensils should be checked to ensure that they are suitable for use in microwave oven.
16. **WARNING!**--It is hazardous for anyone other than a trained person to carry out any service or repair operation which involves the removal of any cover which gives protection against exposure to microwave energy.
17. This Microwave complies with EN 55011/CISPR 11, in this standard it belong to Class B Group 2 classification. Group 2 equipment: group 2 contains all ISM RF equipment in which radio-frequency energy in the frequency range 9 kHz to 400 GHz is intentionally generated and used or only used locally, in the form of electromagnetic radiation, inductive and/or capacitive coupling, for the treatment of material, for inspection/analysis purposes, or for transfer of electromagnetic energy. Class B equipment is equipment suitable for use in locations in residential environments and in establishments directly connected to a low voltage power supply network which supplies buildings used for domestic purposes.
18. This appliance is not intended for use by persons (including children) with reduced physical, sensory or mental capabilities, or lack of experience and knowledge, unless they have been given supervision or instruction concerning use of the appliance by a person responsible for their safety.
19. Children should be supervised to ensure that they do not play with the appliance.
20. The microwave oven is only used in freestanding.
21. **WARNING!**--Do not install oven over a range cook top or other heat-producing appliance. if installed could be damaged and the warranty would be avoid .
22. The microwave oven shall be placed in a cabinet.
23. The door or the outer surface may get hot when the appliance is operating.
24. **WARNING!**--Accessible parts may become hot during use. Young children

- should be kept away.
25. During use the appliances becomes hot. Care should be taken to avoid touching heating elements inside the oven, for cooking ranged and ovens.
 26. The temperature of accessible surfaces may be high when the appliance is operating.
 27. Appliance is not to be used by children or persons with reduced physical, sensory or mental capabilities, or lack of experience and knowledge, unless they have been given supervision or instruction.
 28. **WARNING!**--If the door or door seals are damaged, the oven must not be operated until it has been repaired by a competent person.
 29. The appliances are not intended to be operated by means of an external timer or separate remote-control system.
 30. The microwave oven is for household use only and not for commercial use.
 31. Never remove the distance holder in the back or on the sides, as it ensures a minimum distance from the wall for air circulation.
 32. Please secure the turntable before you move the appliance to avoid damages.
 33. **CAUTION!**--It is dangerous to repair or maintain the appliance by no other than a specialist because under these circumstances the cover have to be removed which assures protection against microwave radiation. This applies to changing the power cord or the lighting as well. Send the appliance in these cases to our service centre.
 34. The microwave oven is intended for defrosting, cooking and steaming of food only.
 35. Use gloves if you remove any heated food.
 36. Caution! Steam will escape, when opening lids or wrapping foil.
 37. This appliance can be used by children aged from 8 years and above and persons with reduced physical, sensory or mental capabilities or lack of experience and knowledge if they have been given supervision or instruction concerning use of the appliance in a safe way and understand the hazards involved. Children shall not play with the appliance. Cleaning and user maintenance shall not be made by children unless they are aged from 8 years and above and supervised.
 38. If smoke is emitted, switch off or unplug the appliance and keep the door closed in order to stifle any flames.

INSTALLATION GUIDE

1. Make sure that all the packing materials are removed from the inside of the door.
2. **WARNING!**--Check the oven for any damage, such as misaligned or bent door, damaged door seals and sealing surface, broken or loose door hinges and latches and dents inside the cavity or on the door. If there is any damage, do not operate the oven and contact qualified service personnel.
3. This microwave oven must be placed on a flat, stable surface to hold its weight and the heaviest food likely to be cooked in the oven.
4. Do not place the oven where heat, moisture, or high humidity are generated, or near combustible materials.
5. Do not operate the oven without glass tray, roller support, and shaft in their proper positions.
6. Make sure that the power supply cord is undamaged and does not run under the oven or over any hot or sharp surface.
7. The socket must be readily accessible so that it can be easily unplugged in an emergency.
8. Do not use the oven outdoors.

25L Built in Microwave Oven Installation Instructions



GROUNDING INSTRUCTIONS

This appliance must be grounded. This oven is equipped with a cord having a grounding wire with a grounding plug. It must be plugged into a wall receptacle that is properly installed and grounded. In the event of an electrical short circuit, grounding reduces risk of electric shock by providing an escape wire for the electric current. It is recommended that a separate circuit serving only the oven be provided. Using a high voltage is dangerous and may result in a fire or other accident causing oven damage.

WARNING!--Improper use of the grounding plug can result in a risk of electric shock.

Note:

1. If you have any questions about the grounding or electrical instructions, consult a qualified electrician or service person.
2. Neither the manufacturer nor the dealer can accept any liability for damage to the oven or personal injury resulting from failure to observe the electrical connection procedures.

The wires in this cable main are colored in accordance with the following code:

Green and Yellow = EARTH

Blue = NEUTRAL

Brown = LIVE

RADIO INTERFERENCE

Operation of the microwave oven can cause interference to your radio, TV, or similar equipment. When there is interference, it may be reduced or eliminated by taking the following measures:

1. Clean door and sealing surface of the oven.
2. Reorient the receiving antenna of radio or television.
3. Relocate the microwave oven with respect to the receiver.
4. Move the microwave oven away from the receiver.
5. Plug the microwave oven into a different outlet so that microwave oven and receiver are on different branch circuits.

BEFORE CALLING FOR SERVICE

Before asking for service, please check each item below:

- Check to ensure the oven is plugged in securely. If not, remove the plug from

the outlet, wait 10 seconds, and plug it in again securely.

- Check for a blown circuit fuse or a tripped main circuit breaker. If these seem to be operating properly, test the outlet with another appliance.
- Check to ensure the control panel is programmed correctly and the timer is set.
- Check to ensure the door is securely closed, engaging the door lock system. If the door is not properly closed, the microwave energy will not flow inside.

IF NONE OF THE ABOVE RECTIFIES THE SITUATION, THEN CONTACT A QUALIFIED TECHNICIAN. DO NOT TRY TO ADJUST OR REPAIR THE OVEN YOURSELF.

COOKING TECHNIQUES

1. Arrange food carefully. Place thickest areas towards outside of dish.
2. Watch cooking time. Cook for the shortest amount of time indicated and add more as needed. Food severely overcooked can smoke or ignite.
3. Cover foods while cooking. Covers prevent spattering and help foods to cook evenly.
4. Turn foods over once during microwave cooking to speed cooking of such foods as chicken and hamburgers. Large items like roasts must be turned over at least once.
5. Rearrange foods such as meatballs halfway through cooking both from top to bottom and from the center of the dish to the outside.

COOKING UTENSILS GUIDE

1. Microwave cannot penetrate metal. Only use utensils that are suitable for use in microwave ovens. Metallic containers for food and beverages are not allowed during microwave cooking. This requirement is not applicable if the manufacturer specifies size and shape of metallic containers suitable for microwave cooking.
2. Microwave cannot penetrate metal, so metal utensils or dishes with metallic trim should not be used.
3. Do not use recycled paper products when microwave cooking, as they may contain small metal fragments which may cause sparks and/or fires.
4. Round /oval dishes rather than square/oblong ones are recommend, as food in corners tends to overcook.
5. Narrow strips of aluminum foil may be used to prevent overcooking of exposed areas. But be careful don't use too much and keep a distance of 1 inch (2.54cm)

between foil and cavity.

The list below is a general guide to help you select the correct utensils.

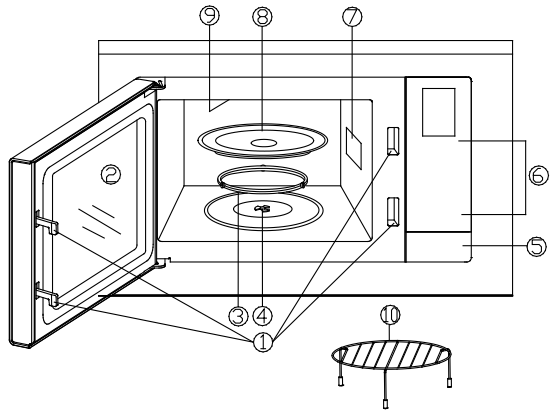
Cookware	Microwave	Grill	Convection	Combination*
Heat-Resistant Glass	Yes	Yes	Yes	Yes
Non Heat-Resistant Glass	No	No	No	No
Heat-Resistant Ceramics	Yes	Yes	Yes	Yes
Microwave-Safe Plastic Dish	Yes	No	No	No
Kitchen Paper	Yes	No	No	No
Metal Tray	No	Yes	Yes	No
Metal Rack	No	Yes	Yes	No
Aluminum Foil & Foil Container	No	Yes	Yes	No </td

* Combination: applicable for both "microwave + grill", and "microwave + convection" cooking.

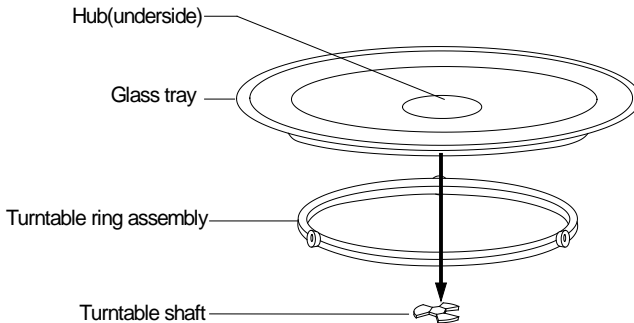
PRODUCT DIAGRAM

1. Door Safety Lock System
2. Oven Window
3. Roller Ring
4. Shaft
5. Door Release Button
6. Control Panel
7. Wave Guide
8. Glass Tray
9. Grill Heater
10. Metal Rack

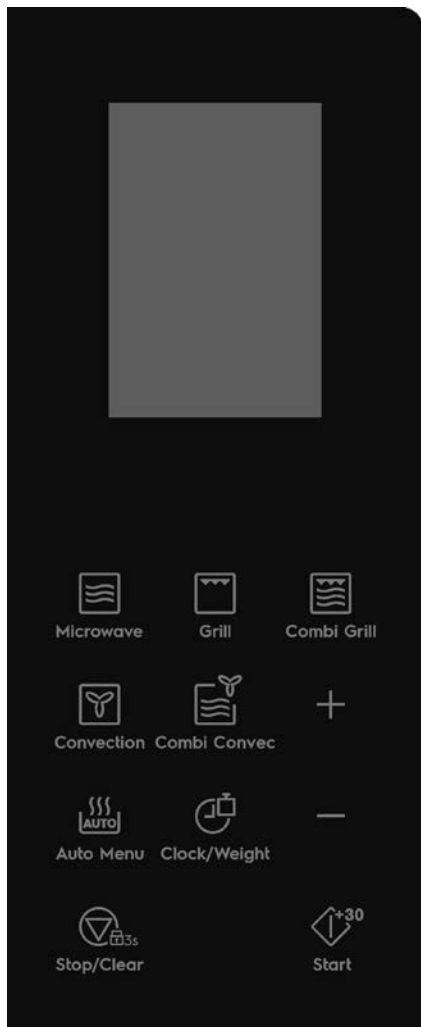
(Please do not remove the mica plate covering the wave guide)



Turntable Installation



CONTROL PANEL



Button	Action	Behavior
Microwave	Quick Press	Press to set microwave cooking power level
Grill	Quick Press	Press to set grill cooking program
Combi Grill	Quick Press	Press to set microwave and grill combination cooking program
Convection	Quick Press	Press to set convection cooking program
Combi Convec	Quick Press	Press to set microwave and convection combination cooking program
+/-	Quick Press	Press to set cooking time and clock time
Auto Menu	Quick Press	Press to select auto cook menu
Clock/Weight	Quick Press	Preset to set clock time
		Preset to set food weight or servings
Stop/Clear	Quick Press	Press once to temporarily stop cooking
		or
		twice to cancel cooking altogether.
Start/+30	Quick Press	It is also used to set child lock
		Press to start cooking programs
		Press to express cooking program

OPERATION INSTRUCTIONS

- When the oven first plugged in, a beep will sound and the display will show "1:00" and "🕒".
- In the process of setting, broke about 20 seconds the oven will return to standby mode.
- During cooking, if press STOP/CLEAR button once, the program will be paused, and then press Start/+30 button once to resume. But if you press STOP/CLEAR button twice, the program will be cancelled.
- After cooking end, the display will show End and beep will sound every two minutes until user press any button or open the door.
- In the process of setting, you can increase or decrease time quickly by pressing and holding the +/- buttons.
- The electronically controlling system of the microwave oven has the feature of cooling. As for any cooking mode which cooking time above 2 minutes, in pausing state or stopping state, the oven fan will work about 3 minutes automatically to cool the oven for prolonging the life of the oven.

SETTING THE CLOCK

This is a 12- or 24- hour clock. You can choose to set the clock time in 12- or 24- hour by pressing CLOCK/WEIGHT button in standby mode.

1. In standby mode, press CLOCK/WEIGHT button once or twice to select 12- hour or 24- hour clock.
2. Press +/- buttons to set hour digit.
3. Press CLOCK/WEIGHT button once.
4. Press +/- buttons to set minute digit.
5. Press CLOCK/WEIGHT to confirm.

NOTE: During cooking, you can check the current clock time by pressing CLOCK/WEIGHT button.

EXPRESS COOKING

Use this feature to program the oven to start at 100% power conveniently. In standby mode, press Start/+30button repeatedly to set cooking time (each press to increase 30 seconds, and up to 10 minutes). The oven will start working automatically.

NOTE: During express cooking, you can add cooking time by pressing Start/+30button.

MICROWAVE COOKING

1. In standby mode, press MICROWAVE button repeatedly to set power level.
2. Press +/- buttons to set cooking time. The longest time is 95 minutes.
3. Press Start/+30 button to start.

Press MICROWAVE button to set cooking power level:

Press MICROWAVE	Power (Display)	Microwave Power	Press MICROWAVE	Power (Display)	Microwave Power
Once	P100	100%	6 times	P-50	50%
Twice	P-90	90%	7 times	P-40	40%
3 times	P-80	80%	8 times	P-30	30%
4 times	P-70	70%	9 times	P-20	20%
5 times	P-60	60%	10 times	P-10	10%

NOTE: During cooking, you can check the current power level by pressing MICROWAVE button.

GRILL

The grill cooking is particularly useful for thin slices of meat, steaks, chops, kebabs, sausages or piece of chicken. It is also suitable for hot sandwiches and au gratin dishes.

1. In standby mode, press GRILL button once.
2. Press +/- buttons to set cooking time. The longest time is 95 minutes.
3. Press Start/+30 button to start.

COMBINATION

Combination 1 : 30% of whole time for microwave cooking, 70% for grill cooking.

Combination 2: 40% of time for microwave cooking, 45% time for grill cooking and 15% time the oven will stop working in one cycle.

1. In standby mode, press COMBI GRILL button once or twice to select "Co-1" or "Co-2".
2. Press +/- buttons to set cooking time. The longest time is 95 minutes.
3. Press Start/+30 button to confirm.

NOTE: During cooking, you can press COMBI GRILL button to check the current Combination type.

CONVECTION

During convection cooking, hot air is circulated throughout the oven cavity to brown and make crisp foods quickly and evenly. This oven can be programmed for ten different cooking temperatures (110°C → 120°C → 130°C → 140°C → 150°C → 160°C → 170°C → 180°C → 190°C → 200°C). The longest cooking time is 95 minutes.

To preheat and cook with convection:

Your oven can be programmed to combine preheating and convection cooking operations.

1. In standby mode, press CONVECTION button repeatedly to select cooking temperature.
2. Press Start/+30 button to confirm. Beeps will sound when the designated temperature is reached.
3. Open the door and place container of food at the center of the turntable.
4. Press +/- buttons to set cooking time.
5. Press Start/+30button to start.

NOTE: The longest preheat time is 30 minutes, and it cannot be set. When the oven reaches preheat temperature, the oven will sound beep every 5 seconds. If you don't open the oven door within the 30 minutes, the program will end automatically.

To cook with convection:

1. In standby mode, press CONVECTION button repeatedly to select cooking temperature..
2. Press +/- buttons to set cooking time.
3. Press Start/+30button to start.

NOTE: During cooking, you can check the convection temperature by pressing CONVECTION button.

MICROWAVE +CONVECTION

This oven has one pre-programmed settings that make it easy to cook with both convection heat and microwave automatically. The longest cooking time is 95 minutes.

1. In standby mode, press COMBI CONVE button once.
2. Press +/- buttons to set cooking time.
3. Press Start/+30 button to confirm.

NOTE: During cooking, you can check the convection temperature by pressing COMBI CONVE button.

SPEED DEFROST

1. In standby mode, press AUTO MENU button 9 times to select "A-9".
2. Press +/- buttons to set defrosting time. The time ranges from 10 seconds to 95 minutes.
3. Press Start/+30 button to start.

NOTE: During defrosting, the oven will pause to remind user to turn food over, after that, press Start/+30 button to resume.

MULTI-STAGE COOKING

Your oven can be programmed for up to 3 automatic cooking sequences.

Suppose you want to set the following cooking program:

Microwave cooking



Microwave cooking (with lower power level)

1. Input the first microwave cooking program. Do not press Start/+30button.
2. Input the second microwave cooking program.
3. Press Start/+30button to start.

NOTE: Auto cook menus, express cooking, convection with preheat and speed defrost cannot be set in the multistage cooking program

CHILD LOCK

Use to prevent unsupervised operation of the oven by children.

To set: In standby mode, press and hold STOP/CLEAR button for 3 seconds, the indicator light will turn on, the oven will auto enter child lock mode.

To cancel: Press and hold STOP/CLEAR button for 3 seconds, the indicator light will disappear.

AUTOMATIC PROTECTION MECHANISM

OVERHEATING PROTECTION - Digital tube has been shows "E01" and had been "DE-" alarm when the system into the super high temperature protection status. After pressing STOP/CLEAR button, the system into normal standby mode.

LOW TEMPERATURE PROTECTION - Digital tube has been shows "E02" and had been "DE-" alarm when the system enters into the low temperature protection status. After pressing STOP/CLEAR button, the system enters into normal standby mode.

SENSOR MALFUNCTION PROTECTION - In case of short circuit, the system enters into malfunction protection. The display shows "E03" and had been "DE-" alarm. After pressing STOP/CLEAR button, the oven will be back to normal.

COOK MENU

For the following food, it is recommended to use time and power for better cooking effect.









Food type	Cooking function	Power/Temperature	Weight/Share	Cooking time
Beverage / coffee	MW	100%	1 cup	1:30
			2 cups	2:40
			3 cups	3:50
Popcorn	MW	100%	100 g	2:00~3:00
Auto reheat rice	MW	100%	200 g	1:30
			300 g	2:00
			400 g	2:30
			500 g	3:00
			600 g	3:30
			700 g	4:00
			800 g	4:30
Potatoes	MW	100%	230 g	5:00
			460 g	8:00
Bake Pizza	Conv	170°C	150 g	20:00
			300 g	21:00
			450 g	22:00
Cake	Conv	140°C	475 g	50:00
Chicken	Conv combi	200°C	800 g	27:00
			1000 g	30:00
			1200 g	33:00
			1400 g	36:00

AUTO COOK

For the following food or cooking mode, it is not necessary to program the cooking power and time. It is sufficient to indicate the type of food that you wish to cook as well as the weight or servings of the food.

1. In standby mode, press AUTO MENU button repeatedly to select food code.
2. Press CLOCK/WEIGHT button repeatedly to set food weight or servings.
3. Press Start/+30button to start.

Auto cook menus:

Menu	Weight/Share	Display	
 Chicken	800 g	800 g	1. For Chicken, during cooking, the system will pause to remind you to turn food over for uniform cooking. After that, press Start/+30button to resume 2. The result of auto cooking depends on factors such as fluctuation of voltage, the shape and size of food, your personal preference as to the doneness of certain foods and even how well you happen to place food in the oven. If you find the result at any rate not quite satisfactory, please adjust the cooking time a little bit accordingly.
	1000 g	1000 g	
	1200 g	1200 g	
	1400 g	1400 g	
 Popcorn	99 g	99 g	
 Milk/Coffee	1 cup	1	
	2 cups	2	
	3 cups	3	
 Potato	1	1	
	2	2	
 Spaghetti	100 g	100 g	
	200 g	200 g	
	300 g	300 g	
 AutoReheat	200 g	200 g	
	300 g	300 g	
	400 g	400 g	
	500 g	500 g	
	600 g	600 g	
	700 g	700 g	
	800 g	800 g	
 Pizza	150 g	150 g	
	300 g	300 g	
	450 g	450 g	
 Cake	475 g	475 g	

TROUBLE

Trouble	Possible cause	Remedy
Oven can not be started	(1) Power cord not plugged in tightly	Unplug. Then plug again after 10 seconds.
	(2) Fuse blowing or circuit breaker works	Replace fuse or reset circuit breaker (repaired by professional personnel of our company)
	(3) Trouble with outlet	Test outlet with other electrical appliances
Oven does not heat	(4) Door not closed well	Close door well
Glass turntable make noise when microwave oven	(5) Dirty roller reser and oven bottom	Refer to “Cleaning” to clean dirty parts

CLEANING AND CARE

1. Turn off the oven and unplug the power cord from the wall when cleaning.
2. Keep the inside of the oven clean. When food splatters or spilled liquids adhere to oven walls, wipe with a damp cloth. Mild detergents may be used if the oven gets very dirty. Avoid using spray or other harsh cleaners. They may stain, streak or dull the door surface.
3. The outside of the oven should be cleaned with a damp cloth. To prevent damage to the operating parts inside the oven, water should not be allowed to seep into the ventilation openings.
4. Wipe the door and window on sides, the door seals and adjacent parts frequently with a damp cloth to remove any spills or spatters. Do not use abrasive cleaner.
5. A steam cleaner is not be used.
6. Do not allow the control panel to become wet. Clean with a soft, damp cloth. When cleaning the control panel, leave oven door open to prevent oven from accidentally turning on.
7. If steam accumulates inside or around the outside of the oven door, wipe with a soft cloth. This may occur when the microwave oven is operated under high humidity condition. And it is normal.
8. It is occasionally necessary to remove the glass tray for cleaning. Wash the tray in

- warm sudsy water or in a dishwasher.
9. The roller ring and oven floor should be cleaned regularly to avoid excessive noise. Simply wipe the bottom surface of the oven with mild detergent. The roller ring may be washed in mild, soapy water or in a dishwasher. When removing the roller ring, be sure to replace it in the proper position.
 10. Remove odors from your oven by combining a cup of water with the juice and skin of one lemon in a microwaveable bowl. Microwave for 5 minutes. Wipe thoroughly and dry with a soft cloth.
 11. If the light bulb burns out, please contact customer service to have it replaced.
 12. The oven should be cleaned regularly and any food deposits should be removed. Failure to maintain the oven in a clean condition could lead to deterioration of surface that could adversely affect the life of the unit and could possibly result in a hazardous situation.
 13. Please do not dispose of this appliance into the domestic rubbish bin; it should be disposed to the particular disposal center provided by the municipalities.
 14. When the microwave oven with grill function is first used, it may produce slight smoke and smell. This is a normal phenomenon, because the oven is made of a steel plate coated with lubricating oil, and the new oven will produce fumes and odor generated by burning the lubricating oil. This phenomenon will disappear after a period of using.

Consumers care contact center

<p>Thailand Consumer Care Tel : (+66 2) 725 9000 Electrolux Thailand Co., Ltd. Electrolux Building 14th Floor 1910 New Phetchaburi Road, Bangkapi, Huai Khwang, Bangkok 10310 Office Tel : (+66 2) 7259100 Office Fax : (+66 2) 7259299 Email : customercarethai@electrolux.com</p>	<p>Malaysia Consumer Care Center Tel: 1300-88-11-22 Electrolux Home Appliances Sdn. Bhd. Corporate Office Address: Unit T2-7, 7th Floor, Tower 2, PJ33, No. 3, Jalan Semangat, Seksyen 13, 46200 Petaling Jaya, Selangor. Office Tel : (+60 3) 7843 5999 Office Fax : (+60 3) 7955 5511 Consumer Care Center Address: Lot C6, No. 28, Jalan 15/22, Taman Perindustrian Tiong Nam, 40200 Shah Alam, Selangor Consumer Care Center Fax : (+60 3) 5524 2521 Email : malaysia.customercare@electrolux.com</p>
<p>Indonesia Hotline service: 08041119999 PT. Electrolux Indonesia Electrolux Building Jl.Abdul Muis No.34, Petojo Selatan, Gambir Jakarta Pusat 10160 Email:customercare@electrolux.co.id SMS & WA : 0812.8088.8863</p>	<p>Philippines Consumer Care Center Toll Free : 1-800-10-845-CARE(2273) Consumer Care Hotline : (+63 2) 845-CARE(2273) Electrolux Philippines, Inc. Unit B 12F Cyber Sigma Bldg, Lawton Avenue, McKinley West, Taguig, Philippines 1634 Trunkline: +63 2 737- 4757 Website : www.electrolux.com.ph Email : wecare@electrolux.com</p>
<p>Vietnam Consumer Care Center Toll Free: 1800-58-88-99 Tel: (+84 28) 3910 5465 Electrolux Vietnam Ltd. Floor 9th, A&B Tower 76 Le Lai Street - Ben Thanh Ward - District 1 Ho Chi Minh City , Vietnam</p>	<p>Singapore Consumer Care Center Tel: (+65) 6727 3699 Electrolux S.E.A. Pte Ltd. 351 Braddell Road #01-04, 351 On Braddell Singapore 579713 Email : customer-care.sin@electrolux.com</p>
<p>HONG KONG SERVICE HOTLINE: (+852) 3193 9888 DCH ELECTRICAL APPLIANCES SERVICE CENTRE 4/F, DCH BUILDING, 20 KAI CHEUNG ROAD, KOWLOON BAY, HONG KONG EMAIL: customercare@dch.com.hk WEBSITE: www.electrolux.com.hk</p>	

RoHS
Compliant

Conformed to the stipulation on permissible content limitation of some hazardous & restricted chemical substances. (RoHS compliant)
(According to the Circular No. 30/2011/TT-BCT, Vietnam, dated 10th August, 2011)

